

## ELink Module EL-RRX RFoG Quad Reverse Receiver

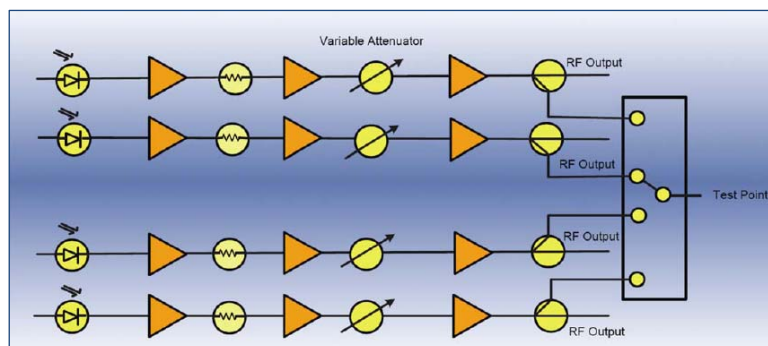
### Description

EL-RRX RFoG is a CATV Return Path Receiver Module, converting upstream optical signals into RF signals at the headend or remote hubs. A good quality receiver design improves Link performance by a low noise photo diode and high output level RF amplifier. Good link performance enables DOCSIS 3.0 upstream bonding on PON architectures such as 20km fiber link and 32 splits.

The Element Management Module (model EL-EMS) along with front panel controls complement the features that optimize the Return Path Receiver for headend and remote installations.

### Features

- Four independent return path receivers in a single module
- Hot-swap capability
- Bandwidth 5~100MHz
- 30dBmV output level
- High input sensitivity for RFoG / PONs
- Manual attenuation control
- RF output test point
- ROHS Compliant



# Specifications

Parameter	Unit	Specification	Note
<b>Optical Performance</b>			
Wavelength	nm	1200-1620	--
Input port		4	--
Input power	dBm	-27 to -13	--
Connector		See ordering table	--
<b>RF Performance</b>			
Bandwidth	MHz	5-100	--
Return loss	-dB	≥16	--
Flatness	dB	+/-0.75	--
Impedance	ohm	75	--
Output level	dBmV	≥30	1
Test point	dB	-20+/-0.75	--
Gain Control Range	dB	30	--
EIN	pA/√Hz	3 typical 4 max	--
NPR / Dynamic range	dB	30/15 MGC ≥ 10 dB 30/10 MGC < 10 dB	2
Connector		F-female	--
<b>Electrical/Physical Performance</b>			
Supply voltage	VDC	24	--
Power consumption	W	<14	--
Dimensions	mm	410D x 24W x 128H	--
Weight	Kg	1.2	--
Operating temperature	°C	0 to 50	
Humidity	%	85, non-condensing	
Storage temperature	°C	-40 to 70	

**Notes:** Specifications are subject to change without notice.

- 1) -13dBm optical input, OMI =10%, wavelength=1310 or 1610nm, 28 dB attenuation setting.
- 2) -20 dBm optical input, 10% OMI, noise bandwidth = 5 @ 42 MHz, ED2 optical node used for test.

## Ordering Information

EL-	RRX-	4	4	R	SA
Model Series	Type	Input ports	Output ports	Input Sensitivity	Opt Conn
EL-	RRX-	4	4	R=RFoG	SA=SC/APC FA=FC/APC

**Corporate Headquarters**  
**Electroline Equipment Inc.**  
 395 Lebeau Blvd.,  
 Saint-Laurent, Quebec H4N 1S2  
 Canada

**Telephone**  
**North America** (800) 461-3344  
**Elsewhere** (514) 374-6335

**Fax**  
**Corporate / Ordering**  
 (514) 374-2257

**General Inquiries**  
[info@electroline.com](mailto:info@electroline.com)  
**Technical Support**  
[support@electroline.com](mailto:support@electroline.com)