

ELECTROLINE



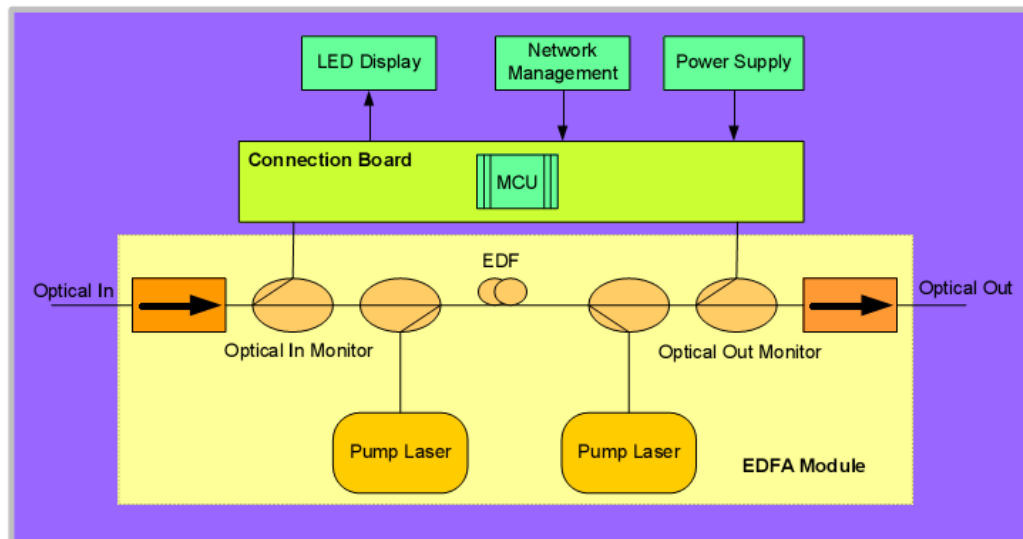
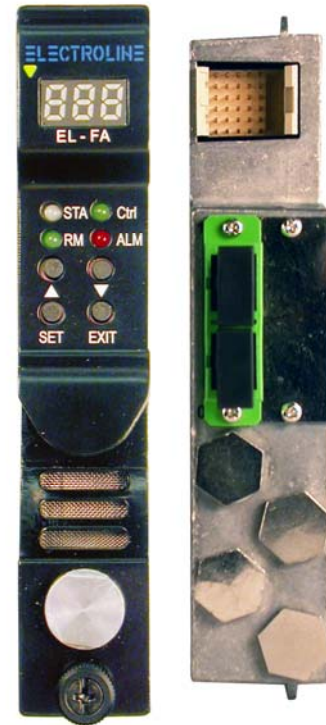
ELink Module EL-FA Optical Amplifier

Description

The EL-FA series of fiber amplifier modules are components of the Elink Optical Transmission Platform and provide optical signal amplification for high performance networks providing voice, video and data services. It is used in networks of varying architecture such as FTTx, RfoG, RF- PON and HFC. The EL-FA contains a high reliability single or double pump laser, has a low noise figure and is available with output options ranging from 14 to 23 dBm. An embedded master control unit (MCU) monitors status of critical components, measures values of key parameters, controls certain function within the unit and report this information via front panel display and over an SNMP network interface.

Features

- Output optical powers from 14dBm to 23dBm
- Low noise figure
- High gain
- Single or double Pump Laser design
- High reliability
- To amplify the optical signal for 1550nm
- Panel display functions
- Applied CATV, HFC, RFoG and FTTx Networks



www.electroline.com

Specifications*

Parameter	Unit	Specification		
Wavelength	nm	1540-1560		
Input power	dBm	-3 to +10		
Number of Output ports		1		
Output power	dBm	14dBm to 23dBm		
Optical power stability	dB	+/- 0.5		
Polarization- dependent gain	dB	<0.5		
Polarization-mode Dispersion	ps	<0.5		
Return loss	dB	>40		
Noise figure	dB	<5(power<=20dBm) <5.5(power>20dBm)		
Connector		SC/APC		
Supply voltage	VDC	24		
Power consumption	W	≤ 20		
Dimensions	mm	410D x 24W x 128H		
Weight	Kg	2		
Parameter	Symbol	Unit	Min	Max
Operating temperature	Top	°C	0	50
Storage temperature	Tstg	°C	-40	70

*Specifications are subject to change without notice.

Ordering Information

EL-	FA-	14-	SA
Model Series	Type	Optical Power Output	Opt Conn
EL-	FA-	14=14dBm 17=17dBm 19=19dBm 23=23dBm	SA=SC/APC FA=FC/APC

Corporate Headquarters
Electroline Equipment Inc.
 395 Lebeau Blvd.,
 Saint-Laurent, Quebec H4N 1S2
 Canada

Telephone
 North America (800) 461-3344
 Elsewhere (514) 374-6335

Fax
 Corporate / Ordering
 (514) 374-2257

General Inquiries
info@electroline.com
Technical Support
support@electroline.com