

# ELECTROLINE



## ELink Module EL-RRX Quad Reverse Receiver

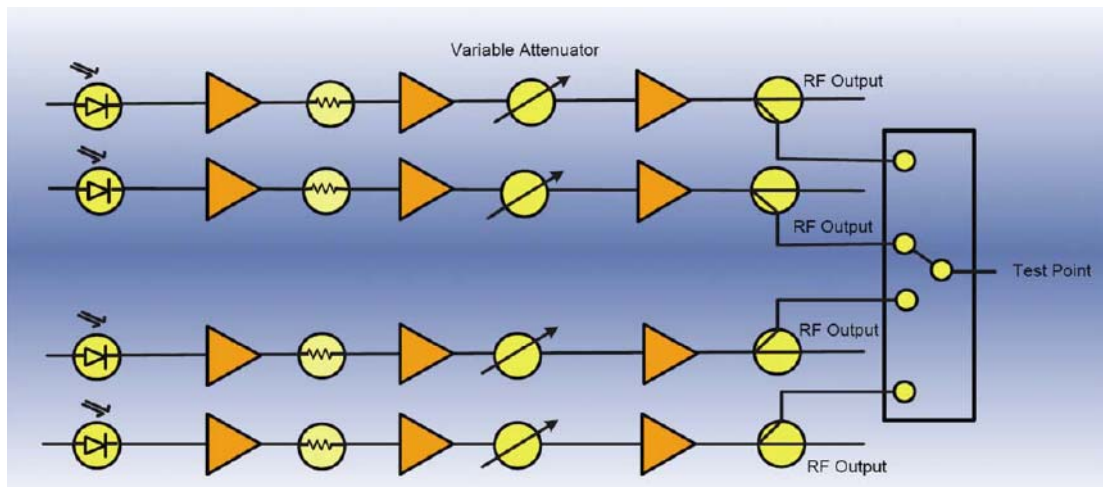
### Description

The EL-RRX is a member of the ELink series Optical Platform and is a CATV Return Path Receiver Module used in HFC and FTTX architectures having four optical inputs. The module contains a low noise PIN diode and a high output level RF amplifier. It features four independent RF output ports, which are located on the rear panel of the receiver module, providing up to 45dBmV output level<sup>1</sup>. Monitoring and configuration setting are all achieved via the front panel and EL-EMS management module.



### Features

- Four independent return path receivers in a single module
- Hot-swap capability
- Bandwidth 5~200MHz
- 45dBmV output level<sup>1</sup>
- -18 to 0dBm input optical power range
- Manual attenuation control
- RF output test point



# Specifications

| Parameter                              | Unit | Specification      | Note |
|--|------|--------------------|------|
| <b>Optical Performance</b>             |      |                    |      |
| Wavelength                             | nm   | 1200-1620          | --   |
| Input ports                            |      | 4                  | --   |
| Input power                            | dBm  | -18 to 0           | --   |
| Connector                              |      | See ordering table | --   |
| <b>RF Performance</b>                  |      |                    |      |
| Bandwidth                              | MHz  | 5-200              | --   |
| Return loss                            | -dB  | ≥18                | --   |
| Flatness                               | dB   | +/-0.75            | --   |
| Impedance                              | ohm  | 75                 | --   |
| Output level                           | dBmV | ≥45                | 1    |
| Test point                             | dB   | -20+/-0.75         | --   |
| Gain Control Range                     | dB   | 30                 |      |
| CNR                                    | dB   | ≥50                | 1    |
| CSO                                    | -dBc | ≥55                | 2    |
| CTB                                    | -dBc | ≥60                | 2    |
| Connector                              |      | F-female           | --   |
| <b>Electrical/Physical Performance</b> |      |                    |      |
| Supply voltage                         | VDC  | 24                 | --   |
| Power consumption                      | W    | <10                | --   |
| Dimensions                             | mm   | 410D x 24W x 128H  | --   |
| Weight                                 | Kg   | 1.2                | --   |
| Operating temperature                  | °C   | 0 to 50            |      |
| Humidity                               | %    | 85, non-condensing |      |
| Storage temperature                    | °C   | -40 to 70          |      |

**Notes:** Specifications are subject to change without notice.

- 1) -7dBm optical input, OMI=16%, 0dB attenuation setting
- 2) 45 dBmV output, two tone test, f1 = 13MHz, f2 = 19MHz

## Ordering Information

| EL-          | RRX- | 4           | 4            | R                 | SA                     |
|--------------|------|-------------|--------------|-------------------|------------------------|
| Model Series | Type | Input ports | Output ports | Input Sensitivity | Opt Conn               |
| EL-          | RRX- | 4           | 4            | N=Standard        | SA=SC/APC<br>FA=FC/APC |

**Corporate Headquarters**  
**Electroline Equipment Inc.**  
 395 Lebeau Blvd.,  
 Saint-Laurent, Quebec H4N 1S2  
 Canada

**Telephone**  
**North America** (800) 461-3344  
**Elsewhere** (514) 374-6335

**Fax**  
**Corporate / Ordering**  
 (514) 374-2257

**General Inquiries**  
[info@electroline.com](mailto:info@electroline.com)  
**Technical Support**  
[support@electroline.com](mailto:support@electroline.com)