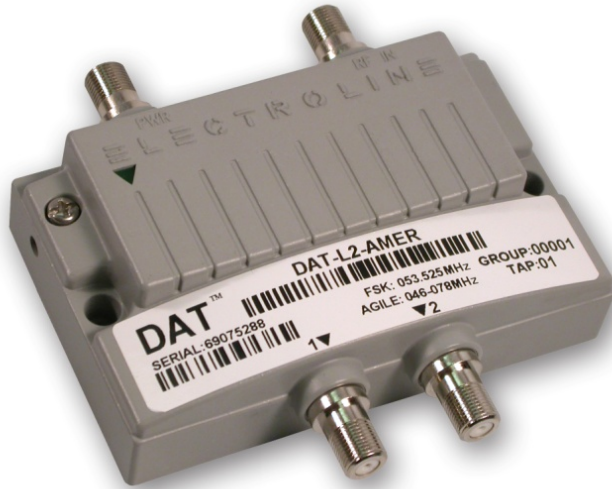


ELECTROLINE



DAT

Duplex Addressable Tap

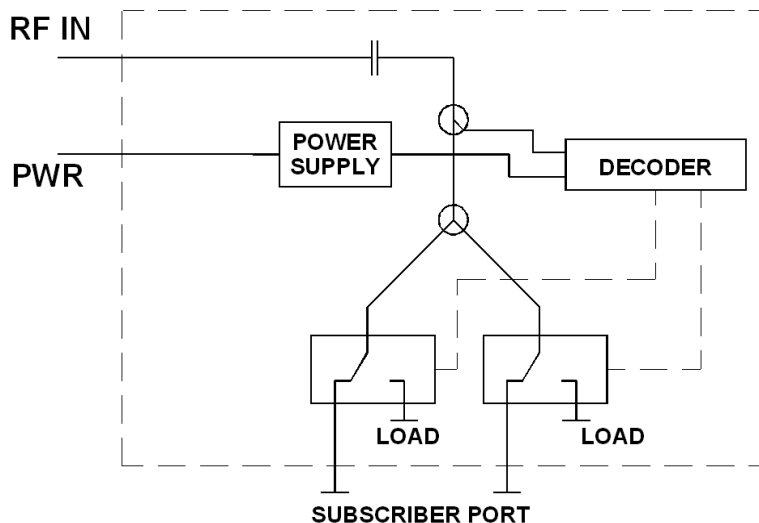


Description

The DAT (Duplex Addressable Tap) is a two output stand-alone addressable unit compatible with Electroline's family of addressable products. One common application is at a duplex where an ONT (optical network transition) unit is deployed. In many cases the ONT will have multiple data and telephone outputs and a single RF output. The DAT would be used to split the RF output, and control each output (on/off) independent of each other. The application reduces the deployment costs in a Fiber to the Home (FTTH) architecture for duplexes by 60%. The DAT is also capable of tiered operation. Contact your Electroline representative for details.

Features

- Compatible with Electroline family of addressable products
- DC voltage powered
- Capable of tiered operation
- Water Resistant
- Surge Protected



Duplex Addressable Tap

Specifications:

- Internal termination on unused ports
- Power range: 10-24 VDC
- Power Consumption: 15ma typical (40ma higher during the time the relays change state)
- “F” connectors: 360 degree contacts
- Torque: 10-30 in-lbs
- Switch Time: 30 ms per relay
- Surge Protection: Ring Wave, 6kV
- Operating Temperature: -40 to +140 degree F
- RFI isolation: 100 dB minimum
- Size: 4.25 x 4.3 x 1.23 inches
- Weight: 1.31 lbs with wall adapter; 0.69 lbs without

Ordering Information:

DAT	-	L	2	-	AMER
Model		Operating range	# of subscriber ports		Opt Wall Adapter
DAT	-	L =46-78 MHz M =72-120 MHz H =108-162 MHz	2 =2 subscriber ports	-	AMER =North American Wall Adapter EURO =European Wall Adapter

Corporate Headquarters
Electroline Equipment Inc.
395 Lebeau Blvd.,
Saint-Laurent, Quebec H4N 1S2
Canada

Telephone
North America (800) 461-3344
Elsewhere (514) 374-6335

Fax
Corporate / Ordering
(514) 374-2257

General Inquiries
info@electroline.com
Technical Support
support@electroline.com