

# Workabout Provisioning Tool

Addressable



## Description

The Workabout is a hand-held computer which permits CATV technicians in the field to monitor, test, or program equipment from Electroline's lines of addressable and return path products.

The Workabout kit includes the Workabout handheld computer from *Psion PLC Inc.*, a protocol adapter cable, various device-specific adapters, Electroline's proprietary software, and a manual.

The Workabout software is password-restricted with five user access levels, so you have control over what options are available to each user. Depending on your access level, you can acquire and view data, perform tests that verify device functionality, or program the unit's address and operating frequency. At the highest user level you can add programming files to the Workabout's internal database. The programming menus are intelligent in design, in that they adapt to the device to which they are connected. When necessary, software upgrades are easily performed by reprogramming the Solid State Disk card (included).

The Workabout is ruggedized for heavy-duty use and is fully compatible with all Electroline addressable tap products and return path devices. Additional accessories such as a docking station, carrying case, or other adapter cables are available as options.

## The Electroline Advantage

The Workabout is an essential tool for programming the products within the Electroline portfolio of advanced addressable tap and return path solutions. These include the CAT-AGL series of addressable splitter stations, the Ultima subscriber tap for single dwelling units and outdoor applications, the CLEARPath series of

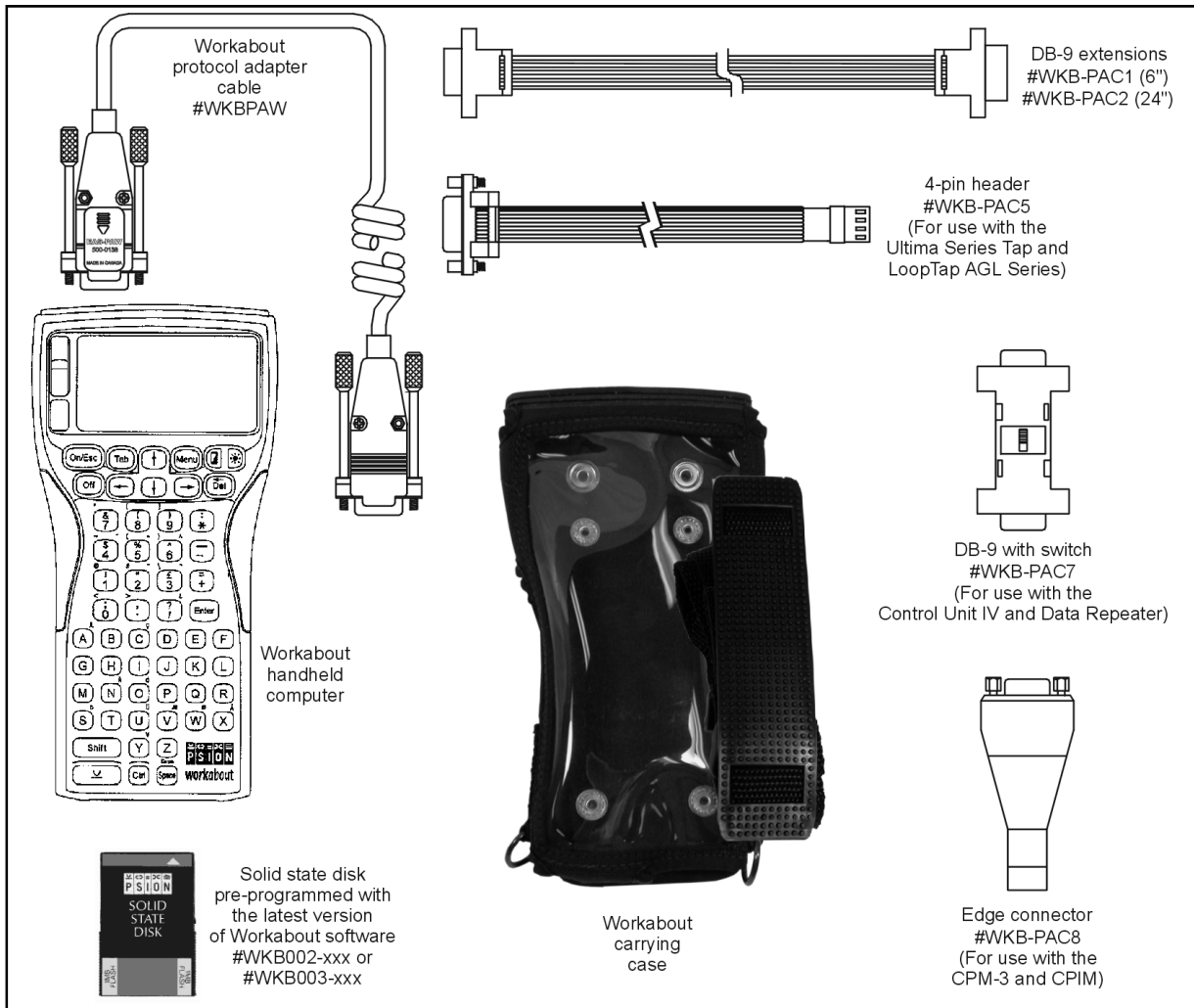


ingress management devices, and the Control Unit IV headend microcomputer for controlling the above-mentioned equipment. Electroline designs and manufactures its complete line of addressable products and return path solutions at its North American ISO 9001 certified facility.

## Features

- 2 MB internal RAM
- 2 MB ROM for operating system software
- Two internal Solid State Disk (SSD) drives for additional storage capacity
- 240 x 100 pixel grayscale LCD display
- 57-key alphanumeric keyboard
- RS-232 and RS-232 TTL ports
- Operating temperature range: -20°C to 60°C
- Splash-proof
- Drop-resistant (1 meter onto concrete)
- Conforms to electrostatic standard IEC 801

## Contents of the WKB-E and WKB-F Workabout kits (manual not shown)



Note: Specifications are subject to change without notice.

## Ordering Information

Model Number	Description
<b>WKB-E</b>	Workabout kit including handheld computer, carrying case, protocol adapter cable, device-specific adapters, software, and user manual; English
<b>WKB-F</b>	Workabout kit including handheld computer, carrying case, protocol adapter cable, device-specific adapters, software, and user manual; French
<b>WKB002-xxx</b>	Solid state disk pre-programmed with latest version of French Workabout software
<b>WKB003-xxx</b>	Solid state disk pre-programmed with latest version of English Workabout software

For more information on our products, please visit: [www.electroline.com](http://www.electroline.com) or call: 800-461-3344

