

Ultima Addressable Tap

Addressable



Description

To remain competitive, cable operators need ways to increase subscriber revenues and minimize operational costs. With its field-proven addressable tap technology, Electroline offers cable operators control of subscriber services and cable theft, plus provides other unique features that are designed to minimize operational costs and improve the overall quality of service provided to all subscribers. The **ULTIMA** Series addressable tap gives cable operators this control at an affordable price while providing advanced features. As the name suggests, this is the "ultimate" addressable tap.

The **ULTIMA** addressable tap is built on a 9 inch platform and controls the signal being delivered to each subscriber port. It is controlled by the Electroline Control Unit IV, which interfaces with any cable billing system to automatically switch subscribers on or off whenever their status is changed in the billing system. Optionally, Electroline offers its SoftConnect software that provides standalone control of addressable taps.

The **ULTIMA** has, built into the housing, power and RF bypass that maintains signal continuity to downstream subscribers during servicing of the tap. Another exclusive feature of the Electroline **ULTIMA** tap is the ingress management module. This is based on Electroline's CLEARPath™ line of ingress management tools and provides the operator the unique ability to track down a source of ingress and localize it to a specific tap. Once the tap and the subscribers connected to it are identified as the source, and the ingress is degrading other subscribers' services, then the operator can decide to isolate the ingress source until service staff can be dispatched to make repairs. Overall system quality service is thus improved.



The Electroline Advantage

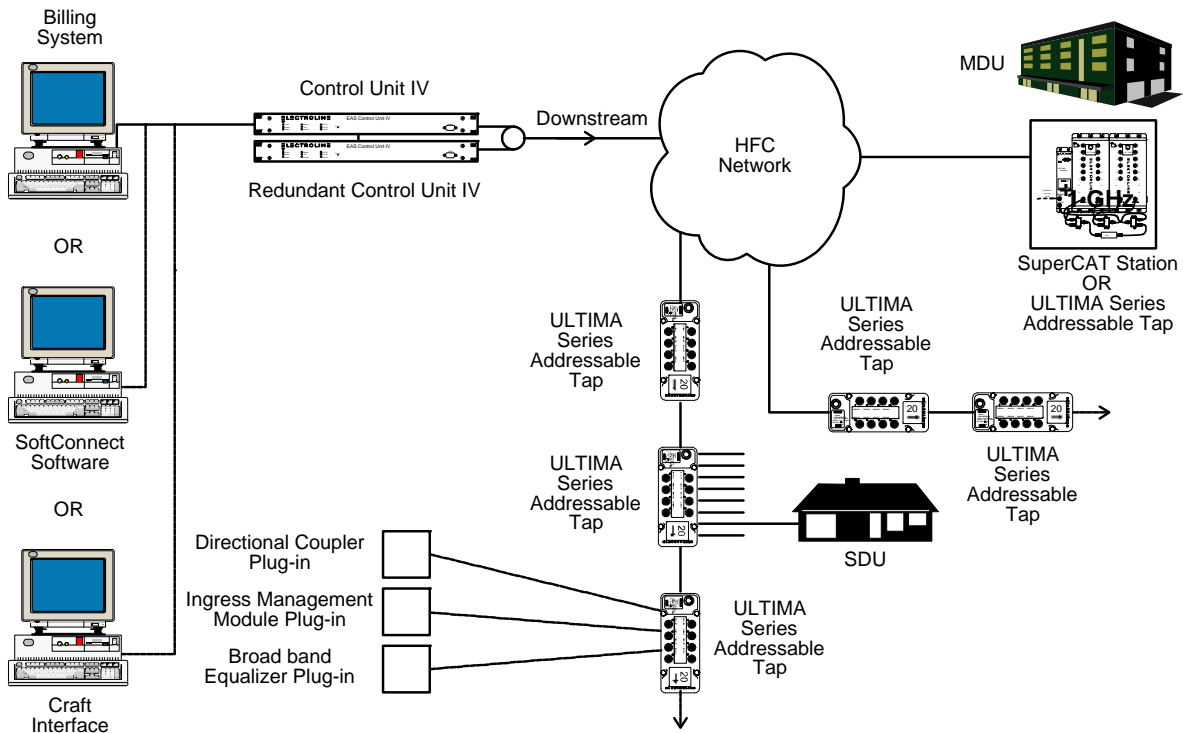
The **ULTIMA** is the newest product series within the Electroline portfolio of advanced addressable tap solutions that include the SuperCat series of addressable splitters and splitter stations.

All our current addressable solutions operate with the same headend control units and communications protocol, so it is easy and convenient to mix all of Electroline's solutions in the same cable system.

Features

- 5 to 1000 MHz
- 15 A power passing
- Interfaces to billing system
- 9-inch platform makes cutting in the tap
- SCTE compliant 360° contact connectors
- Plug-in, reversible directional couplers
- Frequency agile data carrier
- Plug-in broadband equalizer modules
- Plug-in ingress management module
- Color-coded tap values
- Two state subscriber control
- RF and power bypass
- Return path loss management
- Can be configured for pedestal installation
- Easy access to acquisition port

Reference Model



Ordering Checklist

Design Requirements	Required (√)
Control Unit	
Redundant Control Unit	
SoftConnect Software License	
SoftConnect Software Maintenance	
8 Port Configured Taps	
4 Port Configured Taps	

Spares and Accessories	Required (√)
Housings	
8 Port Faceplates	
4 Port Faceplates	
Spare Control Unit	
Spare 8 Port Configured Taps	
Spare 4 Port Configured Taps	
Directional Coupler Plug-in	
Ingress Management Module	
Broadband Equalizers	

For more information on our products, please visit: www.electroline.com or call: 800-461-3344

