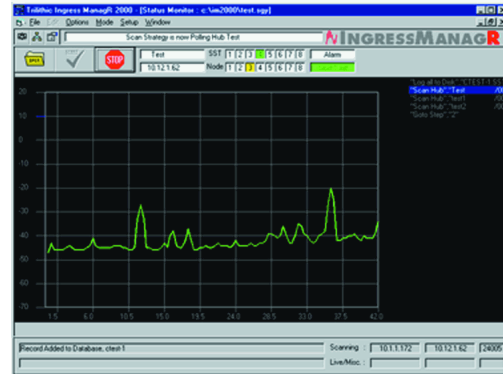
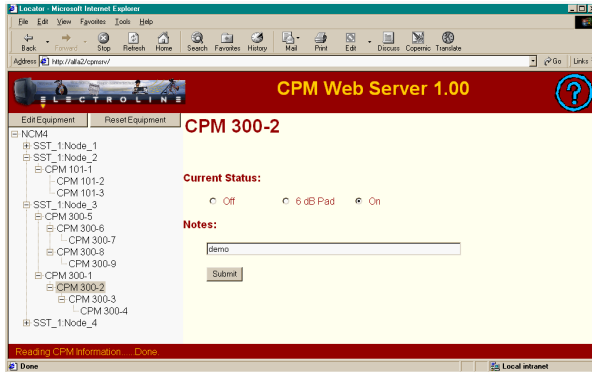


CLEARPath™ Locator Software for Trilithic



Description

Ensuring network reliability is today's most demanding challenge, especially when deploying new services such as high-speed data and IP telephony. To prevent network-threatening problems such as ingress, cable operators must have a means to quickly identify, react to, and restore the network to minimize customer downtime.

Electroline's CLEARPath™ Locator software and Trilithic's Guardian System have come together to form the ultimate network reliability solution. By integrating the features and functionalities of both their return path management systems, they have formed one seamless technology to help operators meet a 99.999% reliability factor – a crucial requirement for the proper deployment of evolving broadband services.

Locator™ for Trilithic is a completely automated solution that identifies ingress at the node and automatically locates it within the network's distribution plant. It then notifies the technical staff of the problem, providing its exact location in the network's distribution leg.

Its effective group of components includes unique features such as an automated ingress search and a node-specific alarm set-up, making this interoperable solution the most foolproof ingress management system available.

Features

- ▼ Includes all the features of the Trilithic Guardian System and the Electroline CLEARPath System
- ▼ Locates ingress down to a specific segment within the distribution plant
- ▼ Provides a "Quick Fix" for severe ingress problems
- ▼ Includes an automated ingress search function
- ▼ Locating process does not affect any services: HSD, IP Telephony, VOD
- ▼ Drastically reduces MTTR to help operators meet a 99.999% reliability factor
- ▼ Sets up alarm conditions specific to each node

www.electroline.com

www.trilithic.com

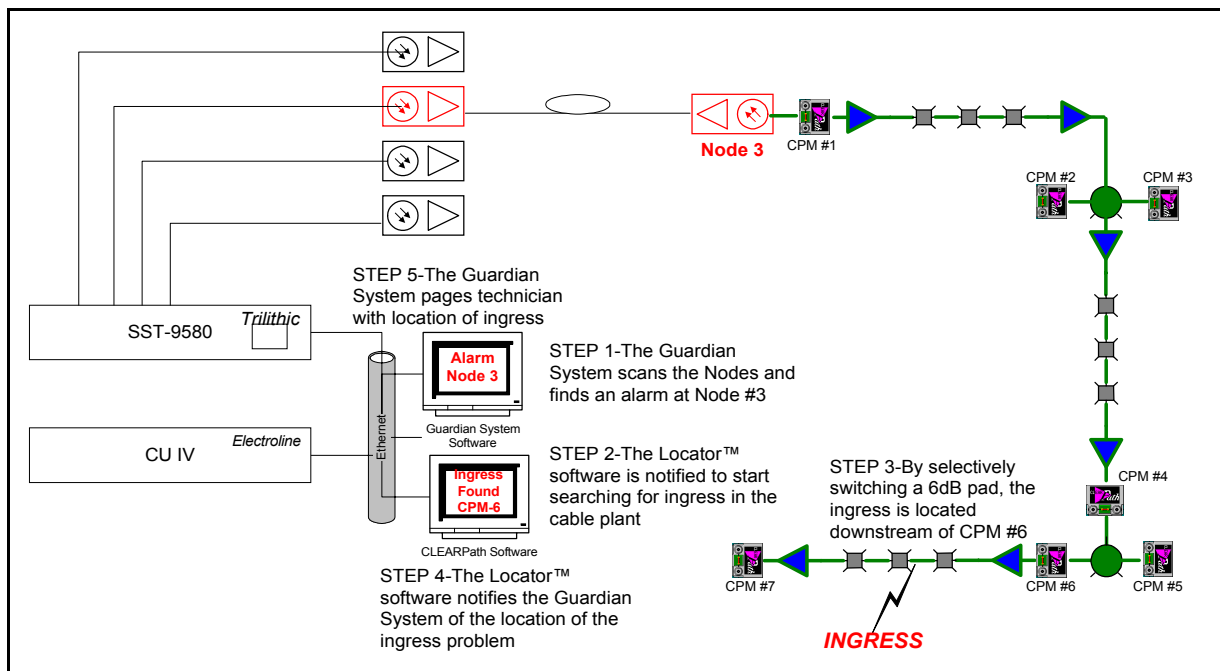
One Clear Solution From Two Return Path Management Experts

CLEARPath™ Locator Software for Trilithic

Operation

The Trilithic Guardian System acts as the prime return path monitoring system within this solution. It continually scans all of the nodes, collecting data and notifying the operator of any ingress that could affect the network's reliability. This is determined by setting up alarm conditions on a node-to-node basis. Once a certain level of the alarm condition is breached, the system automatically activates the CLEARPath Locator Software search in the distribution plant. When the ingress problem is located within a particular distribution leg of the network, the technician is automatically notified by pager and is provided with the precise location of the ingress.

Sketch of System



Electroline Equipment Inc.
8265 St-Michel Boulevard
Montréal, Québec Canada H1Z 3E4
Tel.: (800) 461-3344, (514) 374-6335
Fax: (514) 374-9370
E-mail: info@electroline.com

TRILITHIC Inc.
9710 Park Davis Drive
Indianapolis, IN 46235
Tel.: (800) 344-2412, (317) 895-3600
Fax: (317) 895-3613
E-mail: sales@trilithic.com

www.electroline.com

www.trilithic.com

One Clear Solution From Two Return Path Management Experts