



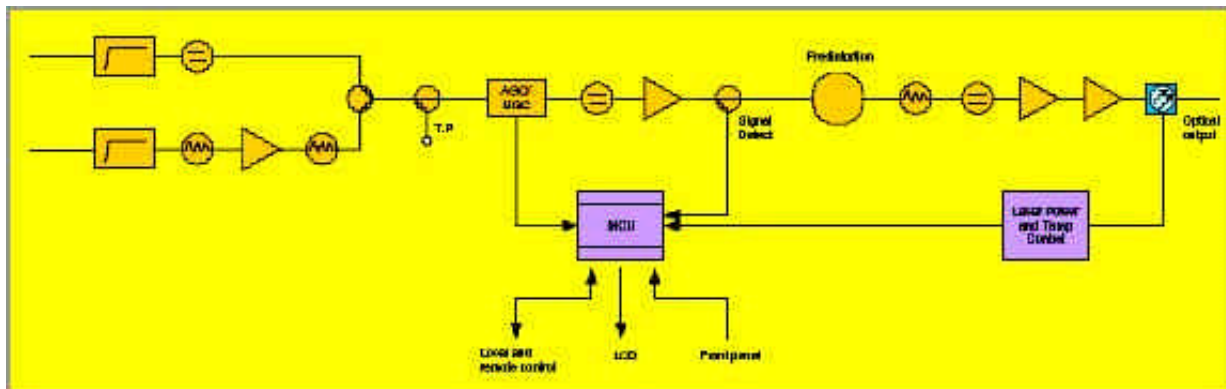
EG1310 Series Fiber Optic Transmitter



- High performance cooled DFB laser with integrated optical isolator
- 19" standard 1U rack design
- Bandwidth 45~1003MHz
- 3/6/8/9/10/11/12/13 dBm optical output power
- Dual Inputs: Broadcast and Narrowcast
- Automatic/manual gain control (AGC/MGC)
- RF input test point
- LCD display/control functions
- Remote Management via SNMP and Ethernet port

The standard rack-mounted EG1310TX series 1310nm optical transmitters are designed for HFC and fiber to the home (FTTH) network application at present and in the future. These AM modulated transmitters have a wide bandwidth from 45 to 1003MHz and can be used for both analog and digital signals transmission. The EG1310TX series transmitters employ high performance 1310nm MQW DFB lasers with integrated optical isolator. These lasers operate at a wide range of optical output power (from 3 to 13dBm), providing system designers a flexible loss budgets.

The EG1310TX series feature an integrated and advanced pre-distortion circuit that achieves superior CSO and CTB performance. The embedded MCU circuit monitors and controls status parameters and remote communication. All parameters can be accessed through front panel LCD or Ethernet interface for remote SNMP management located on the rear panel of the transmitter.



SPECIFICATION SUMMARY

	Unit	Specification	
Optical Performance			
Wavelength	nm	1310 ±20	
Output Power	dBm	3/6/8/9/10/11/12/13	
OMI		3.4%	
RF Performance			
Bandwidth	MHz.	45 - 1003	
Return Loss	dB	>= 16	
Input Level(broadcast / Narrowcast)	DBmV	15 ±4 / 27 ±4	
Impedence	Ohms	75	
Flatness	dB	± .75	
Connector		F female	
Test Point	dB	20 ±1 / 32 ±1	
Link Performance			
C/N	dB	-51	
C/CSO	dB	-63	
C/CTB	dB	-67	
C/XMOD	dB	-65	
Electrical and Physical Characteristics			
Supply Voltage	Vac, 50 or 60 Hz.	90 to 264	
Power Consumption	Watts	<15	
Dimensions	mm	270d x 483w x 44h	
Weight	kg	3.5	
Note:			
1) Test condition: room temperature: 25°C, optical link (fiber 15km+attenuate or).Receiver input power: -1dBm, 77 NTSC channels. 15dBmV per channel at input of transmitter.			
2) Specifications are subject to change without notice.			
3) This is a summary of the complete product specification. Contact your Electroline representative if more detained specification oare required.			

ORDERING INFORMATION

EG1310TX	--	XX	--	XX	--	XX
		Optical Power: 03 = 03dBm 06 = 06dBm 08 = 08dBm 09 = 09dBm 10 = 10dBm 11 = 11dBm 12 = 12dBm 13 = 13dBm		Connector? SA = SC/APC FA = FC/APC		Power Cord: 1=North America 2= Europe

Corporate Headquarters
Electroline Equipments Inc.
 11035 Louis H Lafontaine
 Anjou, Quebec H1J 3A3
 Canada

Telephone
North America (800) 461-3344
Elsewhere (514) 374-6335

Fax
Corporate (514) 374-9370
Ordering (514) 374-2257

General Inquiries
info@electroline.com
Technical Support
support@electroline.com